



ENCLOSING ELECTRONICS ONE BOX AT A TIME

BOX ENCLOSURES, INC

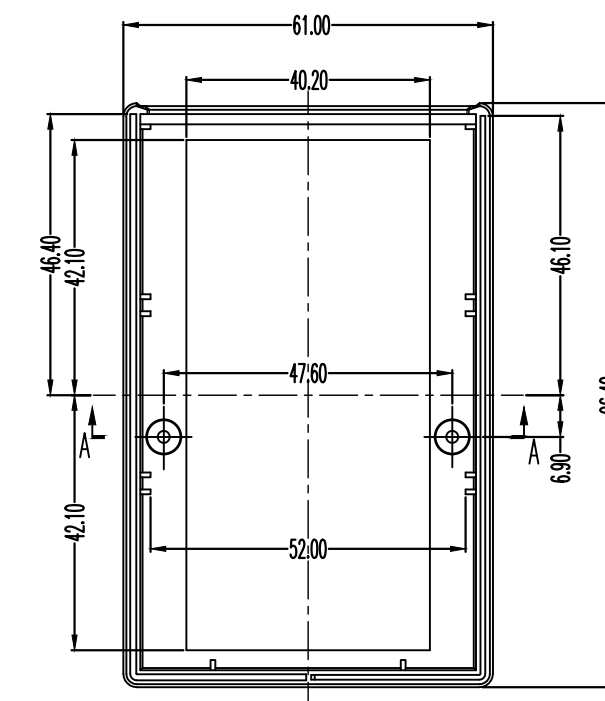
28835 N. HERKY DRIVE, #114,
LAKE BLUFF, IL 60044

TEL: 847-932-4700

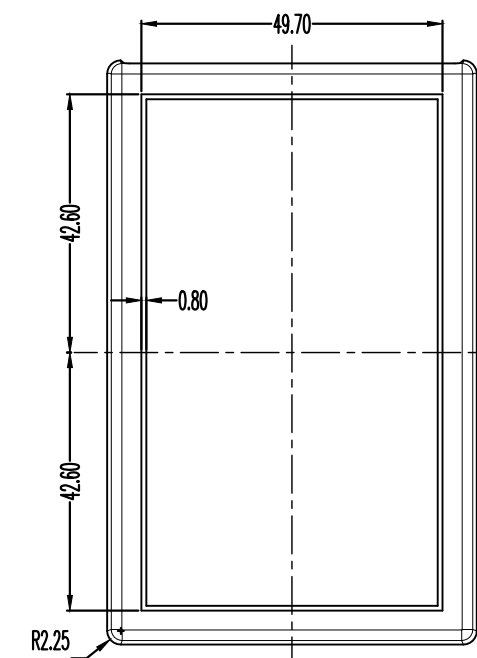
WWW.BOXENCLOSURES.COM

FAX: 847-932-4701

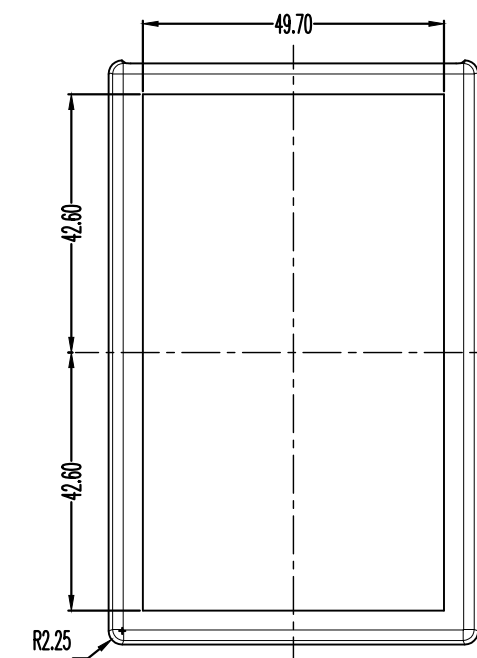
ENCLOSURES & ASSEMBLY SERVICES
ENCLOSURES & ASSEMBLY SERVICES



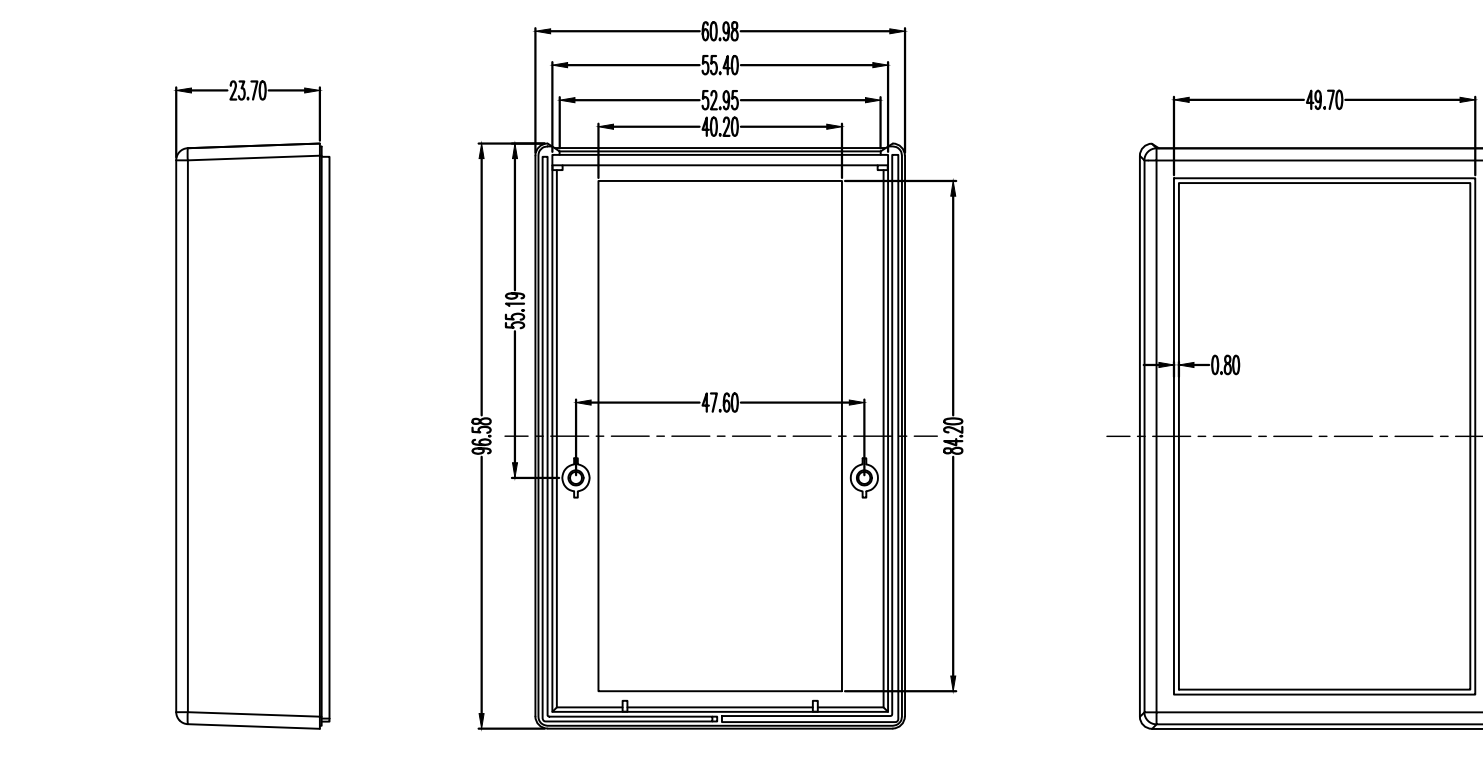
TOP-INSIDE



FLUSH TOP-OUTSIDE



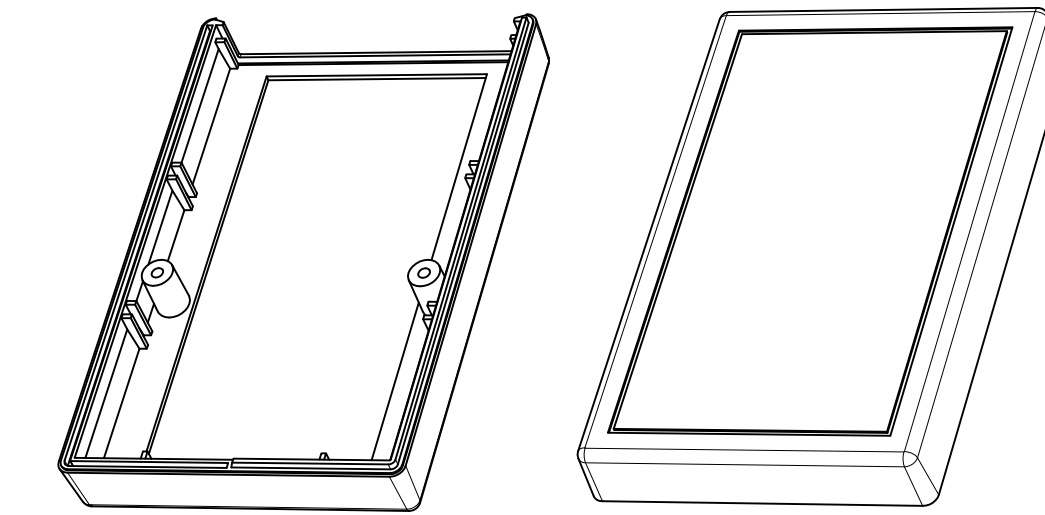
RECESSED TOP-OUTSIDE



RECESSED TOP-OUTSIDE

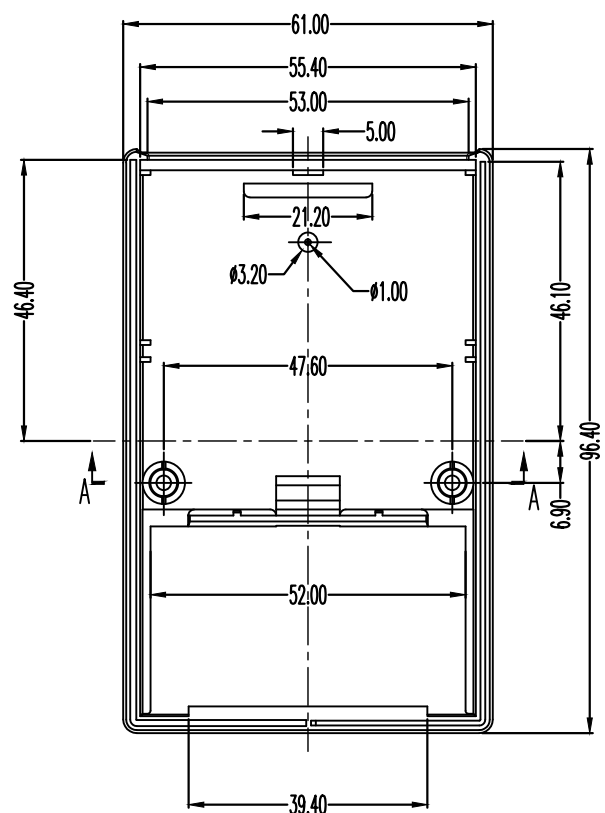
DEEP TOP-INSIDE

DEEP TOP-OUTSIDE

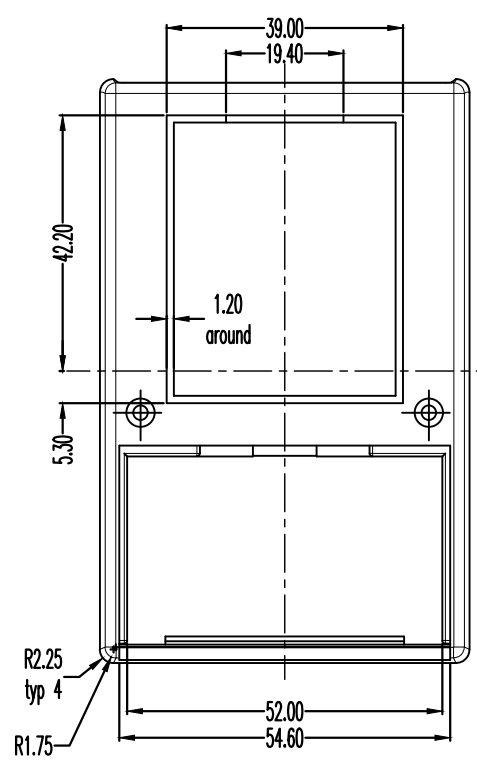


TOP-INSIDE

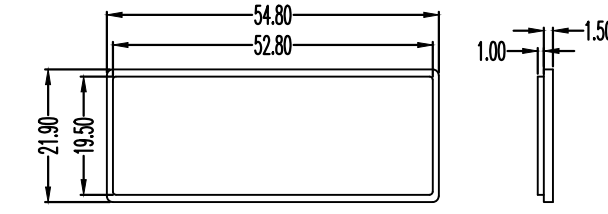
TOP-OUTSIDE



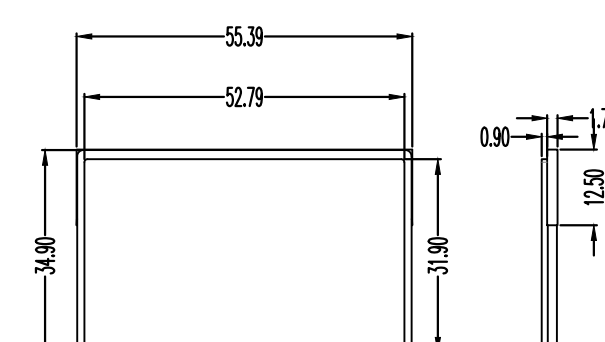
BOTTOM-INSIDE



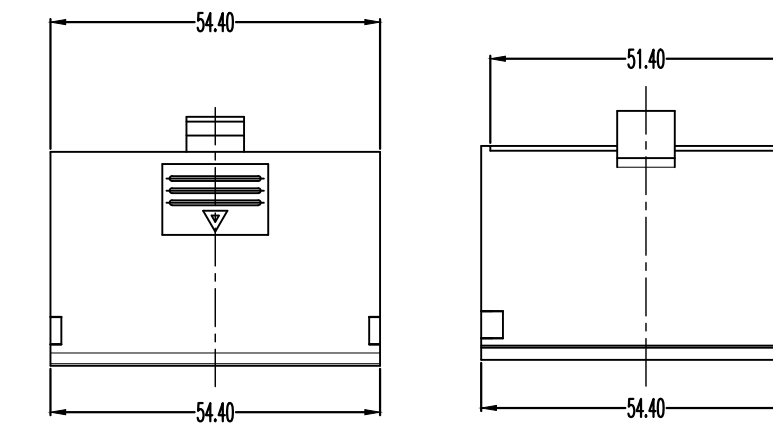
BOTTOM-OUTSIDE



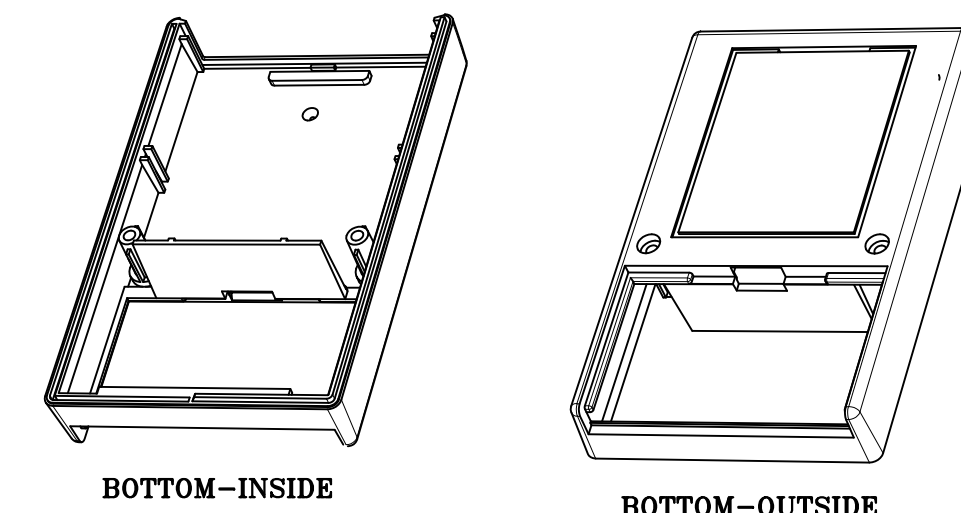
STANDARD PLATE



DEEP PLATE

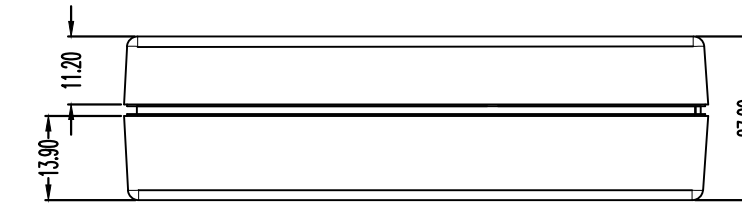


OUTSIDE BATTERY-DOOR INSIDE

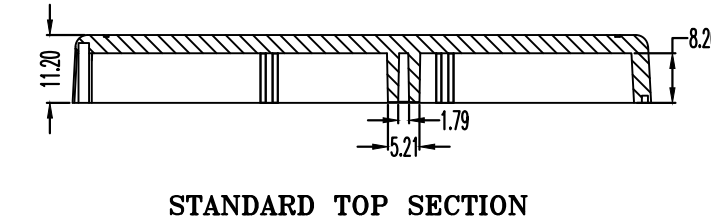


BOTTOM-INSIDE

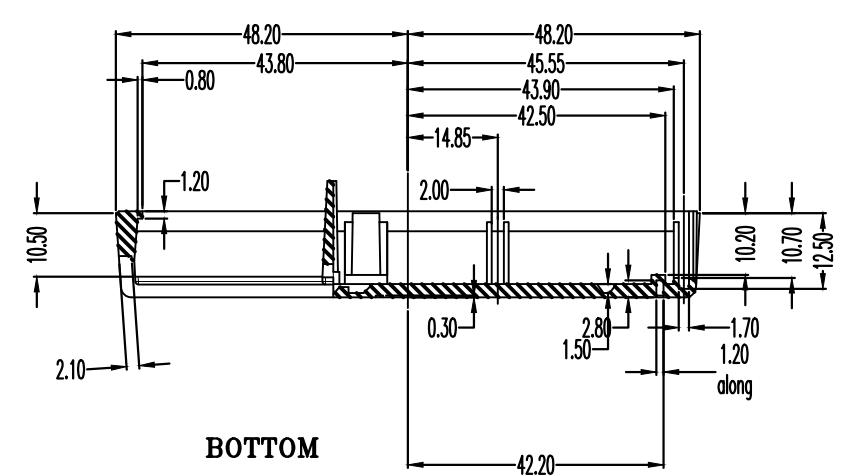
BOTTOM-OUTSIDE



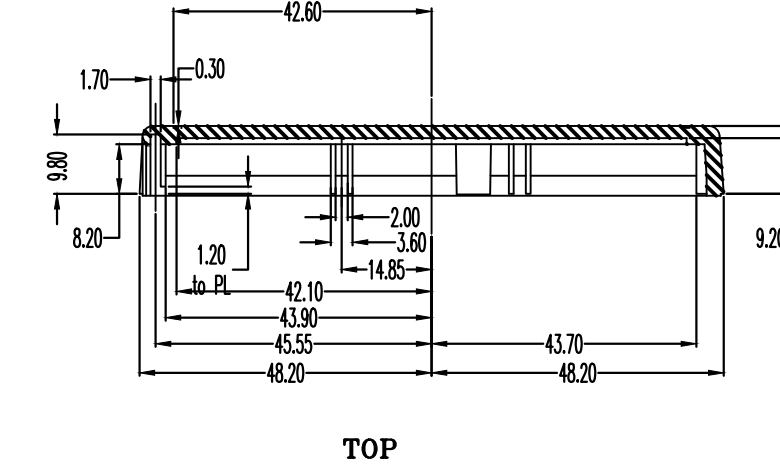
STANDARD SIDE VIEW



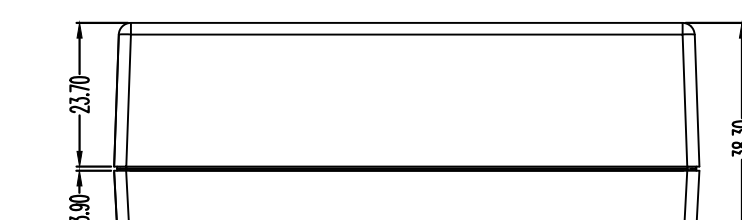
STANDARD TOP SECTION



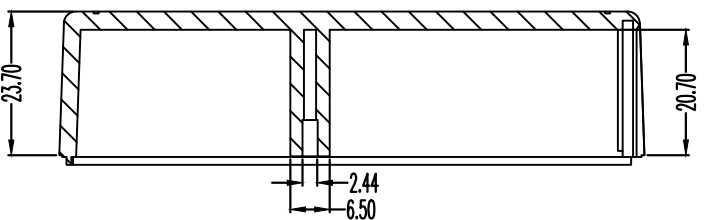
BOTTOM



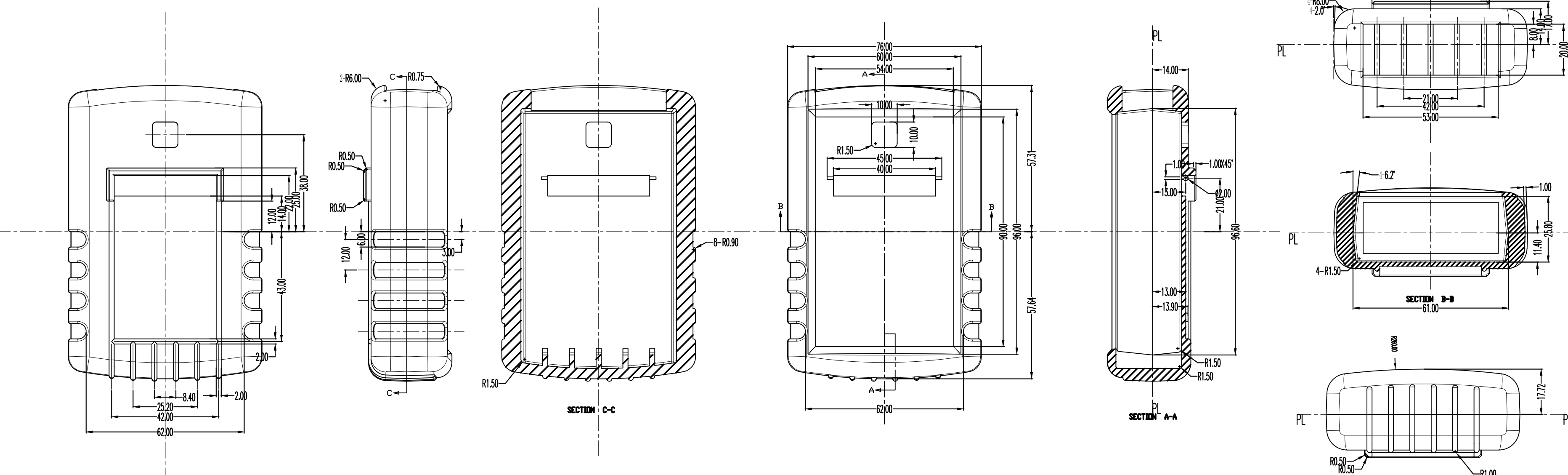
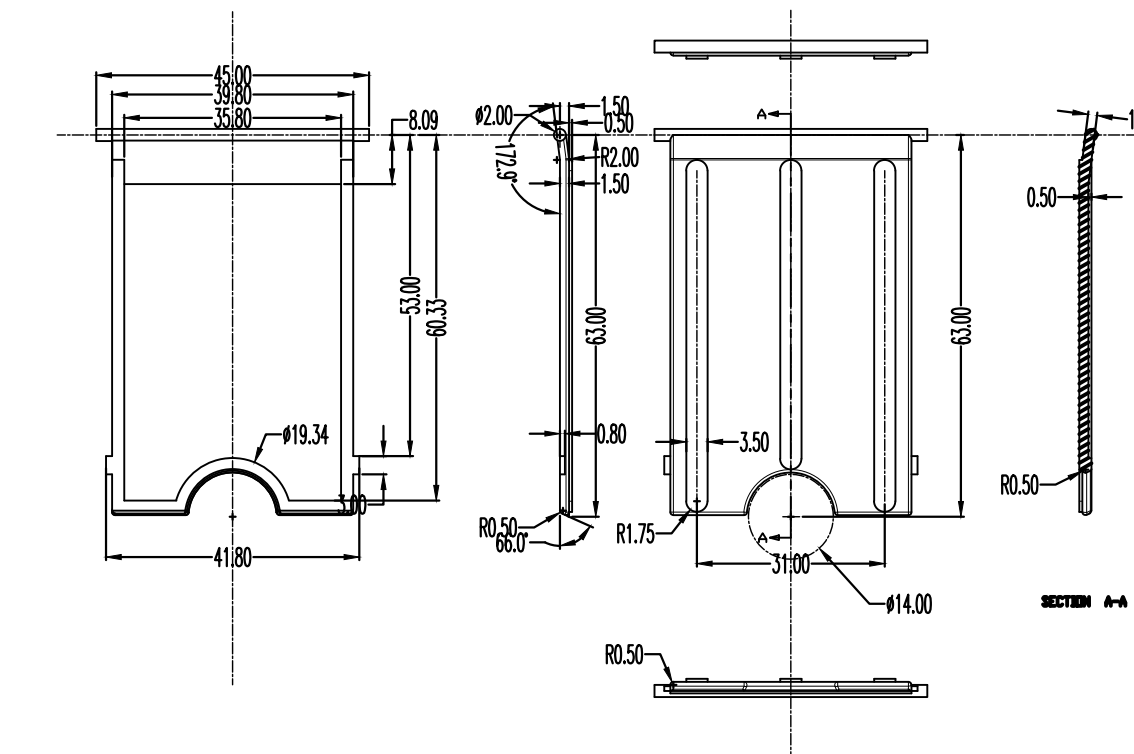
TOP



DEEP TOP SIDE VIEW



DEEP TOP SECTION



ENCLOSING ELECTRONICS ONE BOX AT A TIME

ENCLOSURES & ASSEMBLY SERVICES

Title

40-SERIES

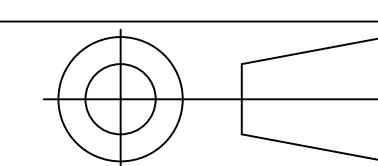
Material:

TOLERANCE
all dimension in mm
unless otherwise specified.

Finish:

x ±0.20
.x ±0.10
.xx ±0.05
ANGLE ±0.5°

Proj.



Dwg. No.:

Color:

Qty:

A4

Sheet
1 of 1

Revision:

Model:

Part No.:

Drn. Date
RFK 7/4/18

Chk. Date

App. Date

THIS DRAWING IS THE PROPERTY OF AND MY EMBODY PROPRIETARY INFORMATION OWNED BY BOX ENCLOSURES. IT IS PROVIDED UNDER A RELATIONSHIP FOR A SPECIFIC PURPOSE. THE RECIPIENT AGREES TO USE IT ONLY FOR SUCH PURPOSE AND RETURN IT TO BOX ENCLOSURES UPON REQUEST.