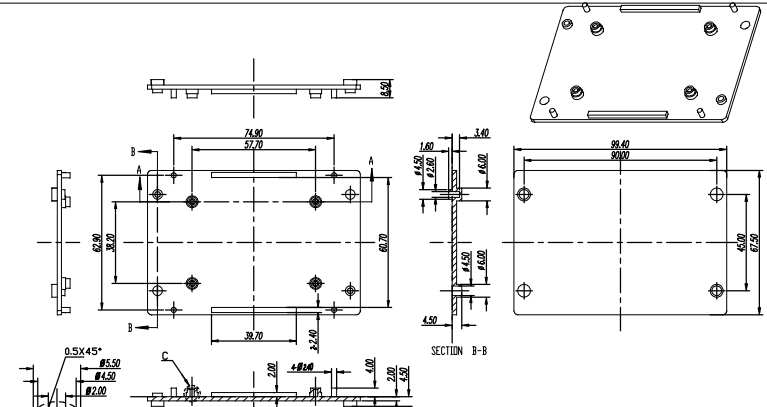




BDX ENCLOSURES, INC
28825 N. HENRY DRIVE, #114,
LAKE BLUFF, IL 60044
TEL: 847-932-4700 WWW.BDXENCLOSURES.COM FAX: 847-932-4700

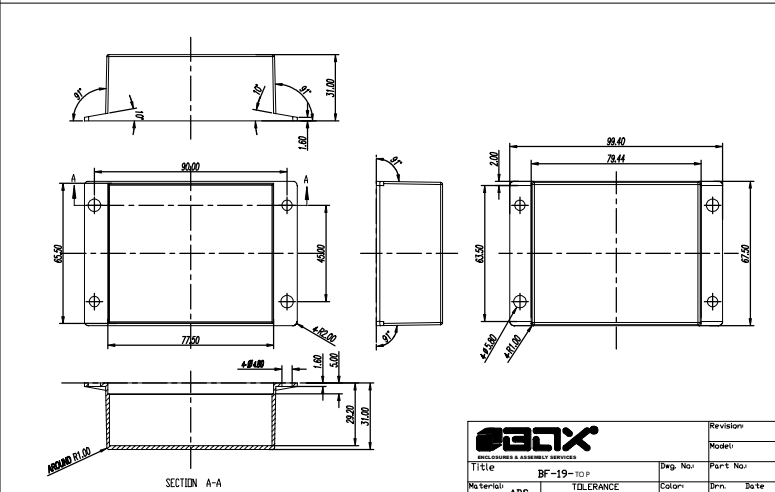


BDX ENCLOSURES & ASSEMBLY SERVICES		Revision	
Title	Model	Rev. No.	Part No.
BF-19-BOTTOM			
Material: ABS	TOLERANCE: all dimension in mm unless otherwise specified	Color:	Drn. Date
Finish:	x 0.10	Qty:	Est. Ten DEC-29-04
Proj:	x 0.05	Sheet	Date
	ANGLE: 90°	A4	
		1 of 1	

THIS DRAWING IS THE PROPERTY OF AND NOT BE LOANED, REPRODUCED, COPIED, OR IN ANY MANNER DISSEMINATED WITHOUT THE WRITTEN PERMISSION OF BDX ENCLOSURES, INC. IT IS PROVIDED UNDER A CONFIDENTIAL RELATIONSHIP FOR A SPECIFIC PURPOSE. THE RECIPIENT AGREES TO USE IT ONLY FOR THE SPECIFIC PURPOSE AND RETURN IT TO BDX ENCLOSURES, INC. UPON REQUEST.



BDX ENCLOSURES, INC
28825 N. HENRY DRIVE, #114,
LAKE BLUFF, IL 60044
TEL: 847-932-4700 WWW.BDXENCLOSURES.COM FAX: 847-932-4700



BDX ENCLOSURES & ASSEMBLY SERVICES		Revision	
Title	Model	Rev. No.	Part No.
BF-19-TOP			
Material: ABS	TOLERANCE: all dimension in mm unless otherwise specified	Color:	Drn. Date
Finish:	x 0.10	Qty:	Est. Ten DEC-29-04
Proj:	x 0.05	Sheet	Date
	ANGLE: 90°	A4	
		1 of 1	

THIS DRAWING IS THE PROPERTY OF AND NOT BE LOANED, REPRODUCED, COPIED, OR IN ANY MANNER DISSEMINATED WITHOUT THE WRITTEN PERMISSION OF BDX ENCLOSURES, INC. IT IS PROVIDED UNDER A CONFIDENTIAL RELATIONSHIP FOR A SPECIFIC PURPOSE. THE RECIPIENT AGREES TO USE IT ONLY FOR THE SPECIFIC PURPOSE AND RETURN IT TO BDX ENCLOSURES, INC. UPON REQUEST.