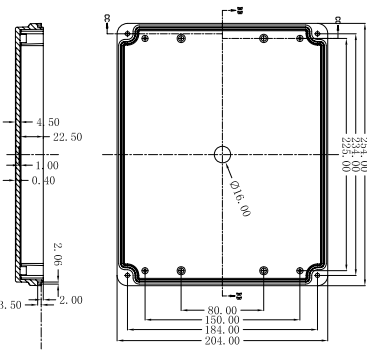
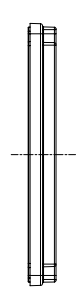
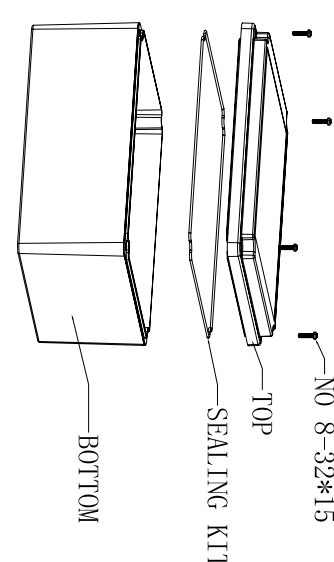
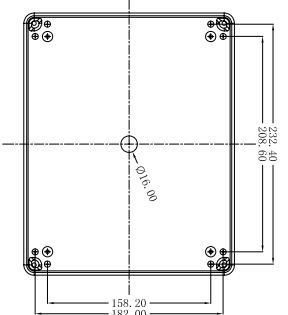
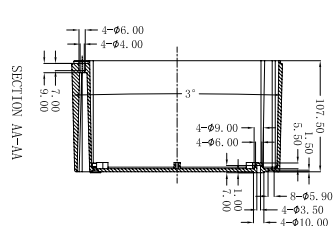
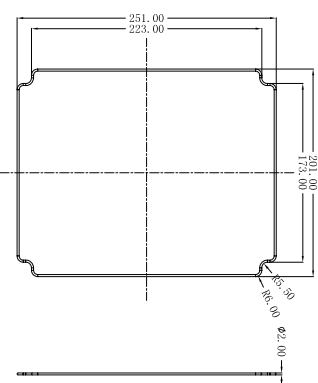
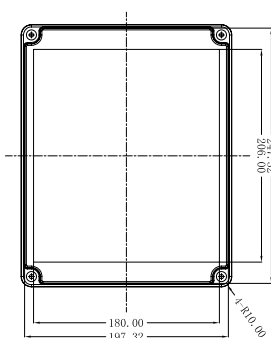
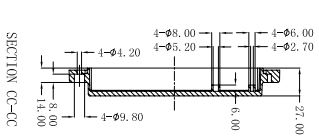


BEN-92-BOTTOM



BEN-92-TOP



BEN-92 SEALING KIT

Part Number	Top Color	Bottom Color
BEN-92P	Grey	Grey
BEN-92PC	Clear	Grey
BEN-92P-BLK	Black	Black
BEN-92PC-BLK	Clear	Black

Optional Accessory  
 Wall mount kit, pack of 4, color grey, Part # BEN-HMM  
 Material: Polycarbonate, fire retardant UL 94-V2  
 Sealing kit: NEMA 4 / IP65, material: Silicone



Title: BEN-92 Master Drawing

Revision: 1.10

<b>Material:</b> Polycarbonate	<b>TOLERANCE</b> all dimension in mm unless otherwise specified:	<b>Dm.</b> 2008-08-29 HUA
<b>Finish:</b> Polished	× ±0.20 ×× ±0.10 ××× ±0.05 ANGLE ±0.5°	<b>Date</b>
<b>Pro.</b>		<b>Fire rating:</b> UL 94-V2
		<b>Sealing rating:</b> NEMA4 / IP65

THIS DRAWING IS THE PROPERTY OF AND MAY CONTAIN PROPRIETARY INFORMATION OWNED BY Box Enclosures. IT IS PROVIDED UNDER A CONFIDENTIAL RELATIONSHIP FOR A SPECIFIC PURPOSE. THE RECIPIENT AGREES TO USE IT ONLY FOR SUCH PURPOSE AND RETURN IT TO Box Enclosure UPON REQUEST.