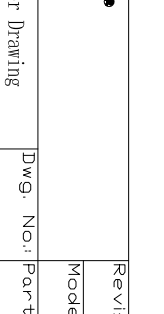
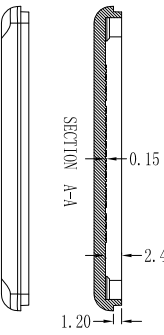
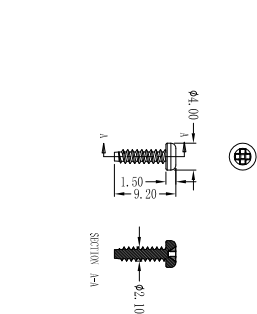
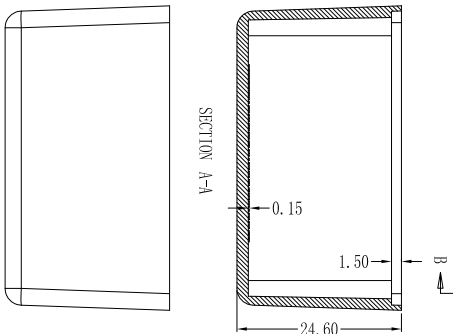
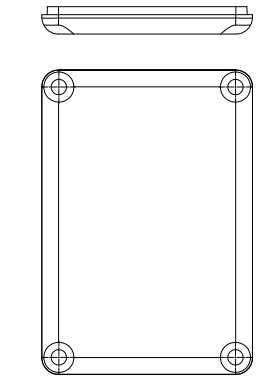
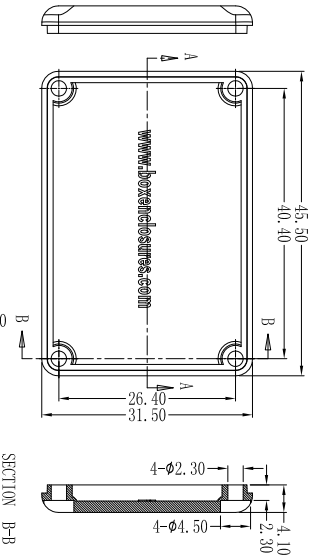
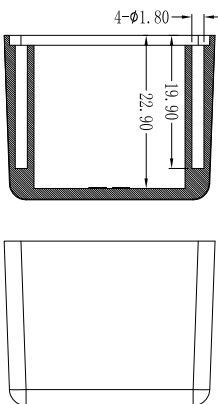
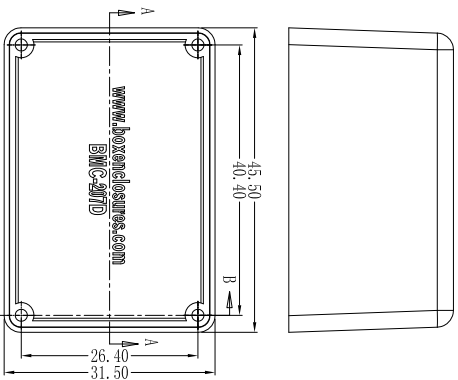
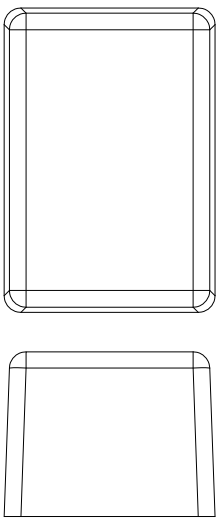
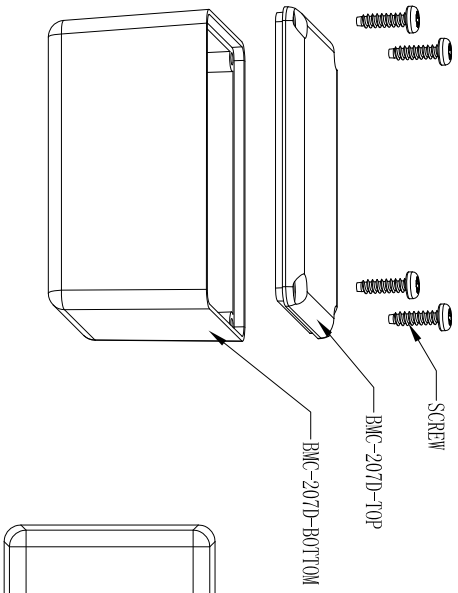




ENCLOSURES & ASSEMBLY SERVICES

BBOX ENCLOSURES, INC
 28915 N. Herky Drive Unit, 107,
 LAKE BLUFF, IL 60044
 TEL: 847-932-4700 WWW.BOXENCLOSURES.COM FAX: 847-932-4701



ENCLOSURES & ASSEMBLY SERVICES

Title: BMC-207D Master Drawing

Dwg. No.: Part No.:

Material: ABS TOLERANCE: all dimension in mm unless otherwise specified

Finish: x ±0.20
 x ±0.10
 .XX ±0.05
 ANGLE ±0.5°

Color: Dwn. Date: 18/1/2010 HJA

Qty: Chk. Date: Sheet of App. Date:

THIS DRAWING IS THE PROPERTY OF AND MAY BE COPY PROPRIETARY INFORMATION OWNED BY BBOX ENCLOSURES. IT IS PROVIDED UNDER A CONFIDENTIAL RELATIONSHIP FOR A SPECIFIC PURPOSE. THE RECIPIENT AGREES TO USE IT ONLY FOR SUCH PURPOSE AND RETURN IT TO BOX ENCLOSURE UPON REQUEST.

Revision:

Model: