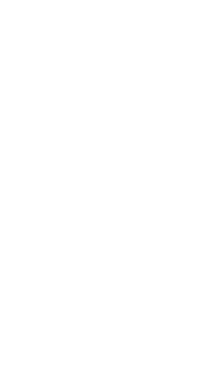
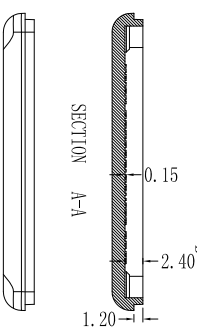
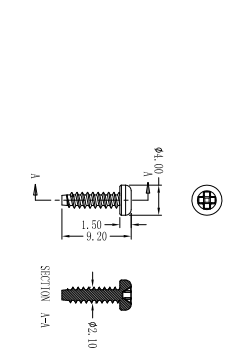
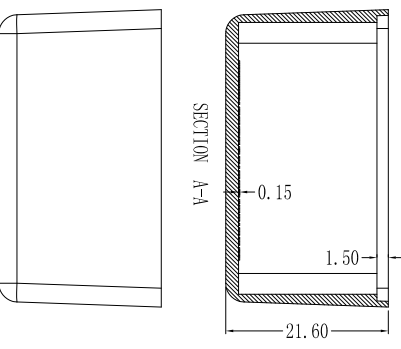
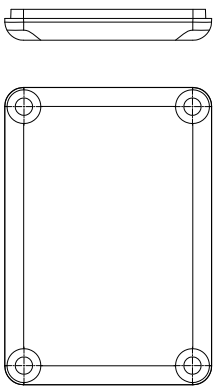
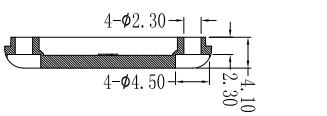
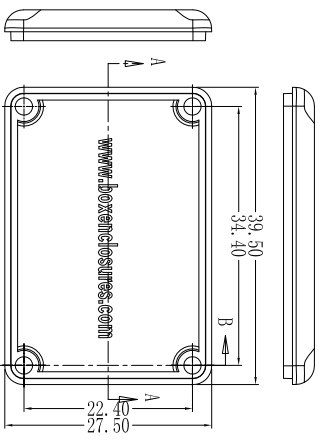
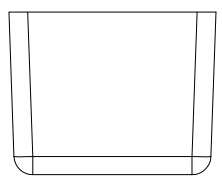
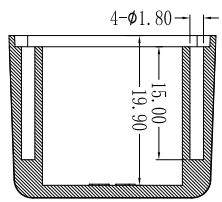
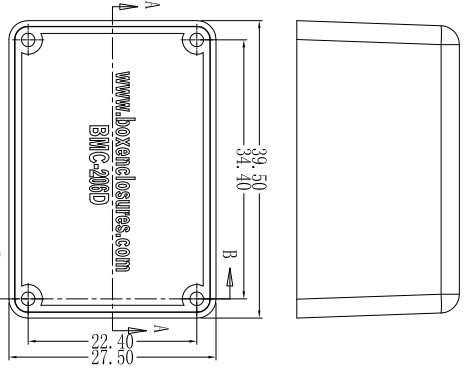
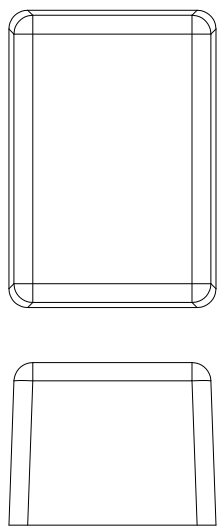
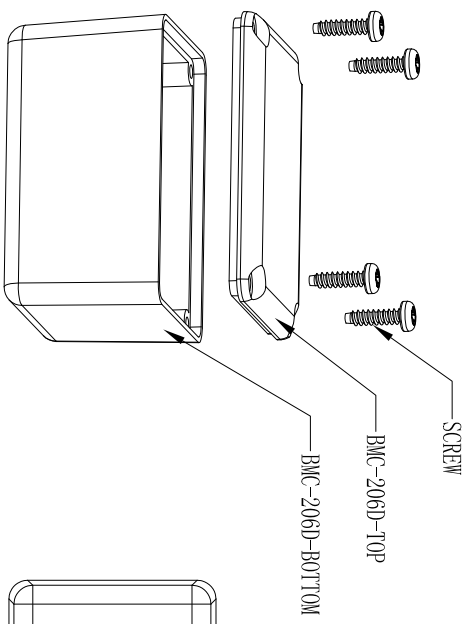




ENCLOSURES & ASSEMBLY SERVICES

BBOX ENCLOSURES, INC  
 28915 N. Herky Drive Unit, 107,  
 LAKE BLUFF, IL 60044  
 WWW.BOXENCLOSURES.COM TEL: 847-932-4700 FAX: 847-932-4701



<p>ENCLOSURES &amp; ASSEMBLY SERVICES</p>		<p>Revision:</p>	
<p>Title: BMC-206D Master Drawing</p>		<p>Dwg. No.: Part No.:</p>	
<p>Material: ABS</p>		<p>Model:</p>	
<p>Finish: unless otherwise specified</p>		<p>Color: Dn. Date</p>	
<p>TOLERANCE in mm</p>		<p>18/1/2010 HJA</p>	
<p>× ±0.20</p>		<p>Qty: Chk. Date</p>	
<p>×× ±0.10</p>		<p>Sheet of</p>	
<p>××× ±0.05</p>		<p>App. Date</p>	
<p>ANGLE ±0.5°</p>			

THIS DRAWING IS THE PROPERTY OF AND MAY EMBODY PROPRIETARY INFORMATION OWNED BY BOX ENCLOSURES. IT IS PROVIDED UNDER A CONFIDENTIAL RELATIONSHIP FOR A SPECIFIC PURPOSE. THE RECIPIENT AGREES TO USE IT ONLY FOR SUCH PURPOSE AND RETURN IT TO BOX ENCLOSURES UPON REQUEST.