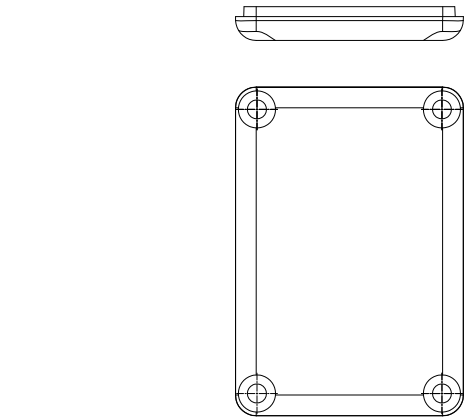
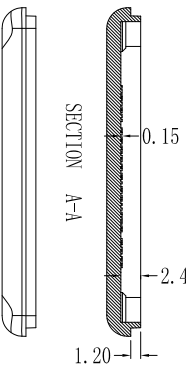
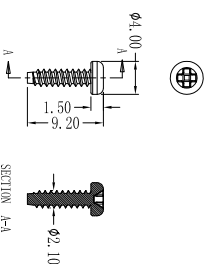
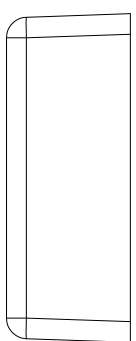
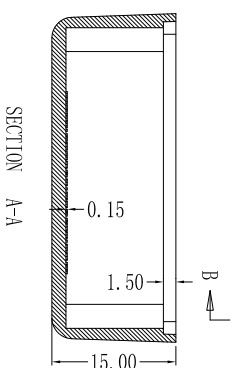
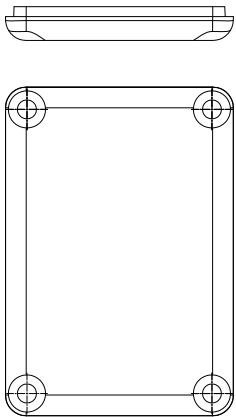
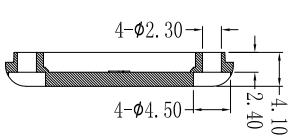
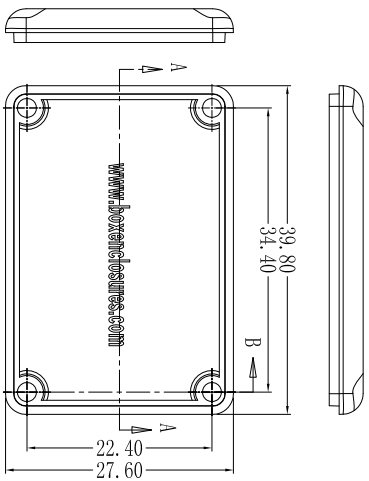
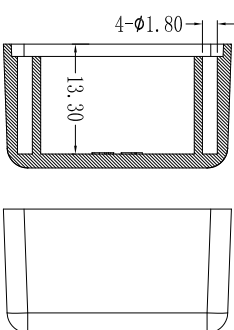
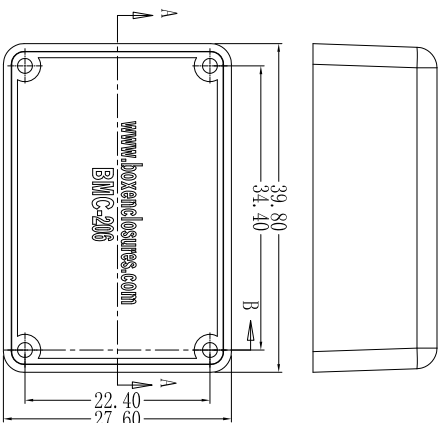
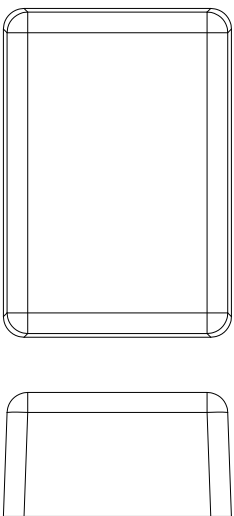
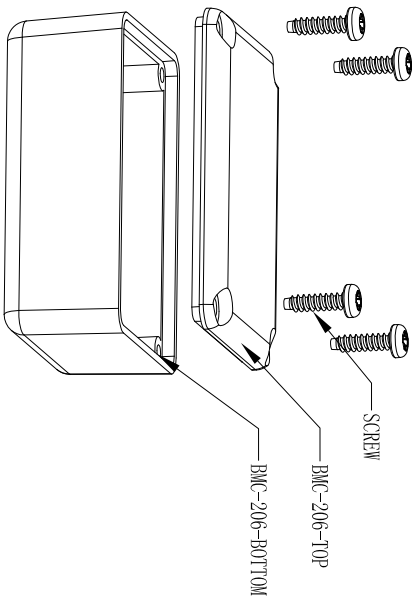




ENCLOSURES & ASSEMBLY SERVICES

BOX ENCLOSURES, INC  
 28915 N. Herky Drive Unit. 107,  
 LAKE BLUFF, IL 60044  
 TEL: 847-932-4700 WWW.BOXENCLOSURES.COM FAX: 847-932-4701



ENCLOSURES & ASSEMBLY SERVICES

Revision:  
 Model:  
 Part No.:

Title BMC-206 Master Drawing		Dwg. No.:		Part No.:	
Material: ABS	TOLERANCE all dimension in mm unless otherwise specified	Color:	Qty:	Drn. Date 18/1/2010 HJA	Chk. Date
Finish:	x ±0.20 xx ±0.10 xxx ±0.05 ANGLE ±0.5°				
Proj.		Sheet of	App.	Date	

THIS DRAWING IS THE PROPERTY OF AND MAY CONTAIN PROPRIETARY INFORMATION OWNED BY BOX ENCLOSURES. IT IS PROVIDED UNDER A CONFIDENTIAL RELATIONSHIP FOR A SPECIFIC PURPOSE. THE RECIPIENT AGREES TO USE IT ONLY FOR SUCH PURPOSE AND RETURN IT TO BOX ENCLOSURE UPON REQUEST.