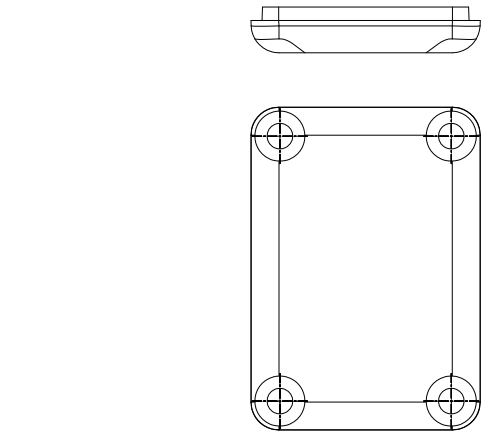
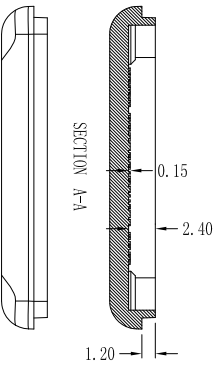
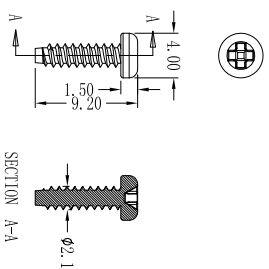
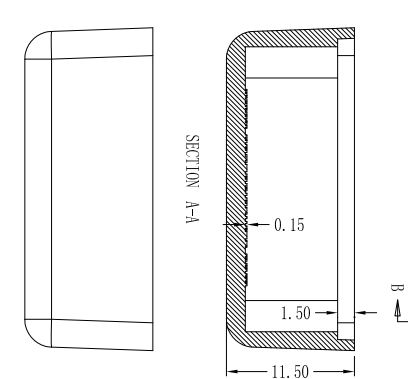
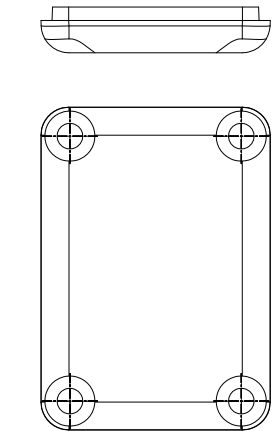
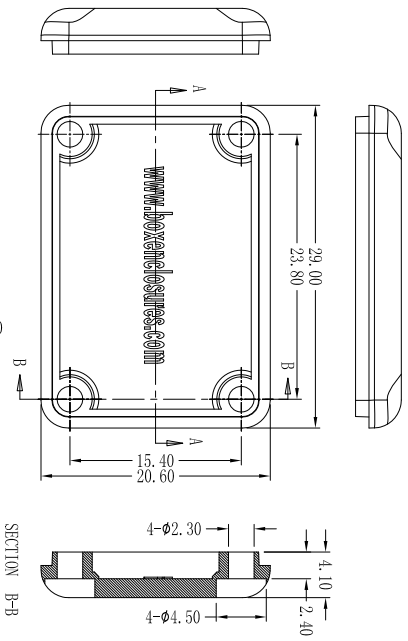
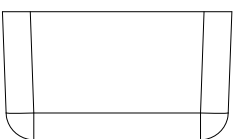
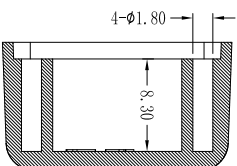
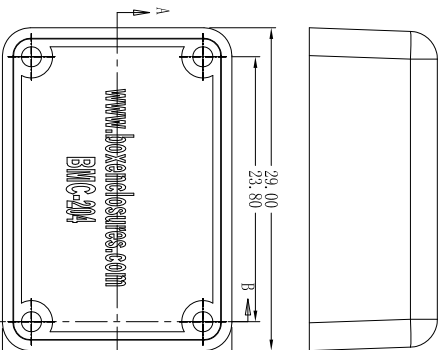
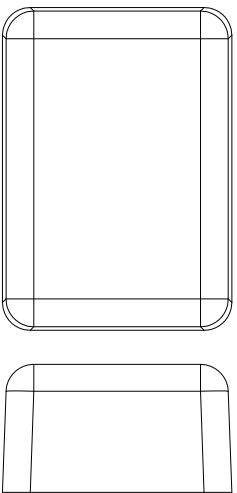
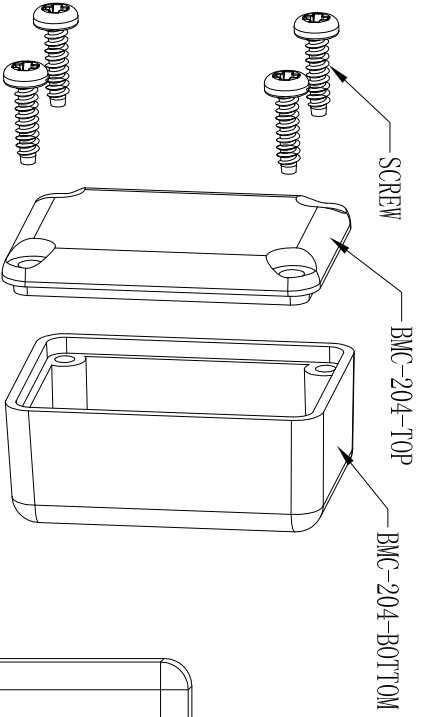




ENCLOSURES & ASSEMBLY SERVICES

BOLIX ENCLOSURES, INC
 28915 N. Herky Drive Unit, 107,
 LAKE BLUFF, IL 60044
 WWW.BOXENCLOSURES.COM TEL: 847-932-4700
 FAX: 847-932-4701



ENCLOSURES & ASSEMBLY SERVICES
 Title: BMC-204 Master Drawing

Material: ABS
 Finish: X
 TOLERANCE in mm
 all dimension unless otherwise specified
 X ±0.20
 XX ±0.10
 ANGLE ±0.5°

THIS DRAWING IS THE PROPERTY OF AND MAY CONTAIN PROPRIETARY INFORMATION OWNED BY BOLIX ENCLOSURES, INC. IT IS PROVIDED UNDER A CONFIDENTIAL RELATIONSHIP FOR A SPECIFIC PURPOSE. THE RECIPIENT AGREES TO USE IT ONLY FOR SUCH PURPOSE AND RETURN IT TO BOLIX ENCLOSURES UPON REQUEST.

Proj:	Dwg. No.:	Part No.:	Revision:
Model:	Color:	Drn. Date:	Model:
Sheet of	Qty:	14/1/2010 HUA	Model:
App:	Chk:	Date	Model:
Date	Date		Model: