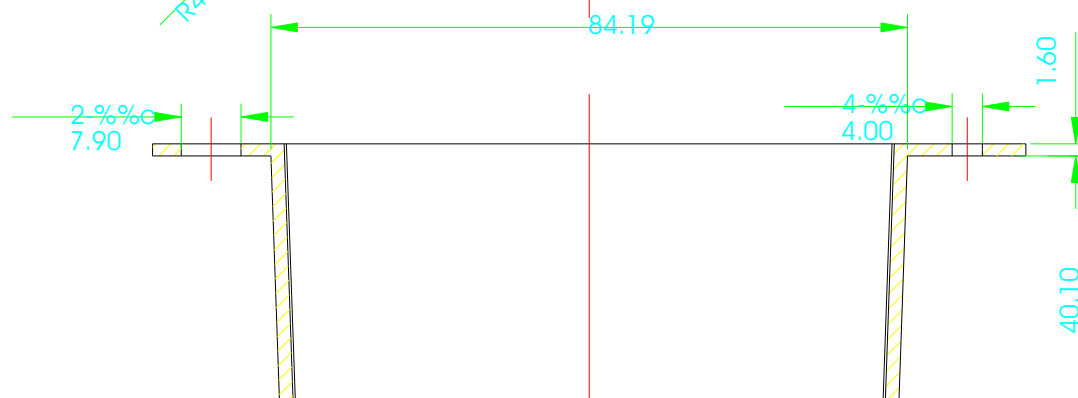
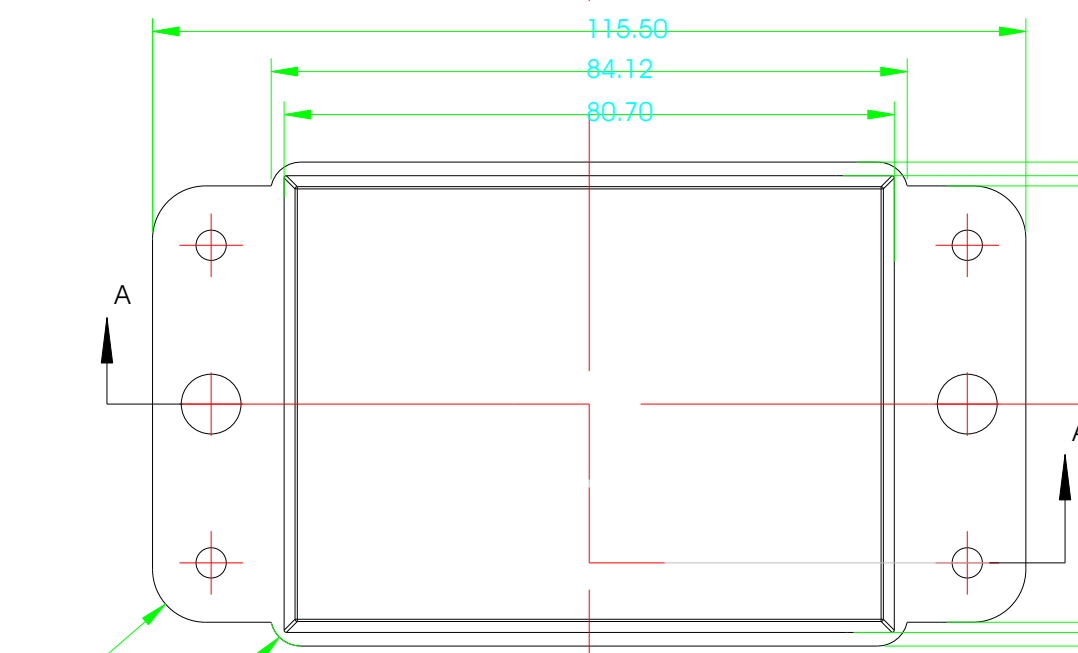
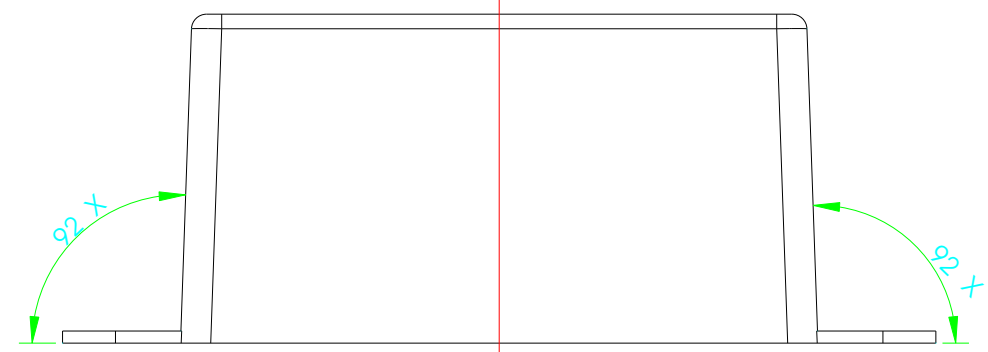
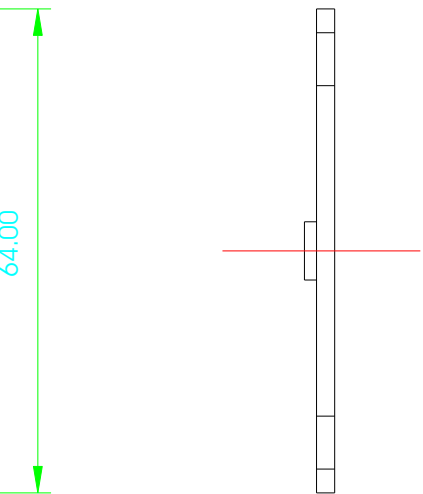


BOX ENCLOSURES, INC

28835 N. HERKY DRIVE, #114,
LAKE BLUFF, IL 60044
WWW.BOXENCLOSURES.COM

FAX: 847-932-4701



Revision: