

BOX ENCLOSURES, INC

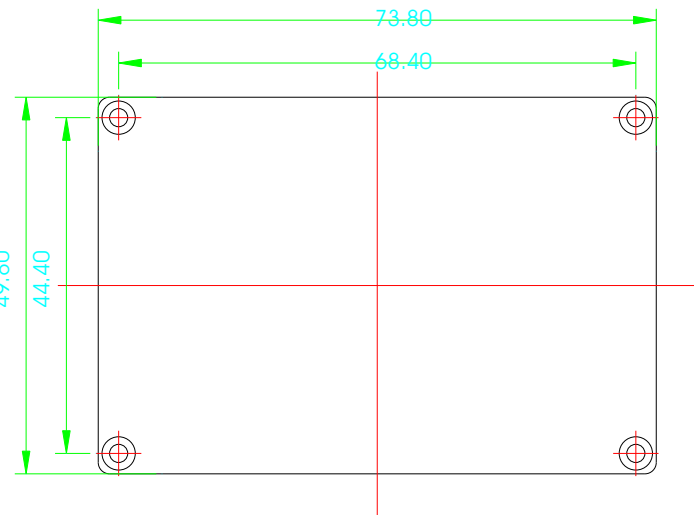
28835 N. HERKY DRIVE, #114,

LAKE BLUFF, IL 60044

WWW.BOXENCLOSURES.COM

FAX: 847-932-4701

700



ECBON



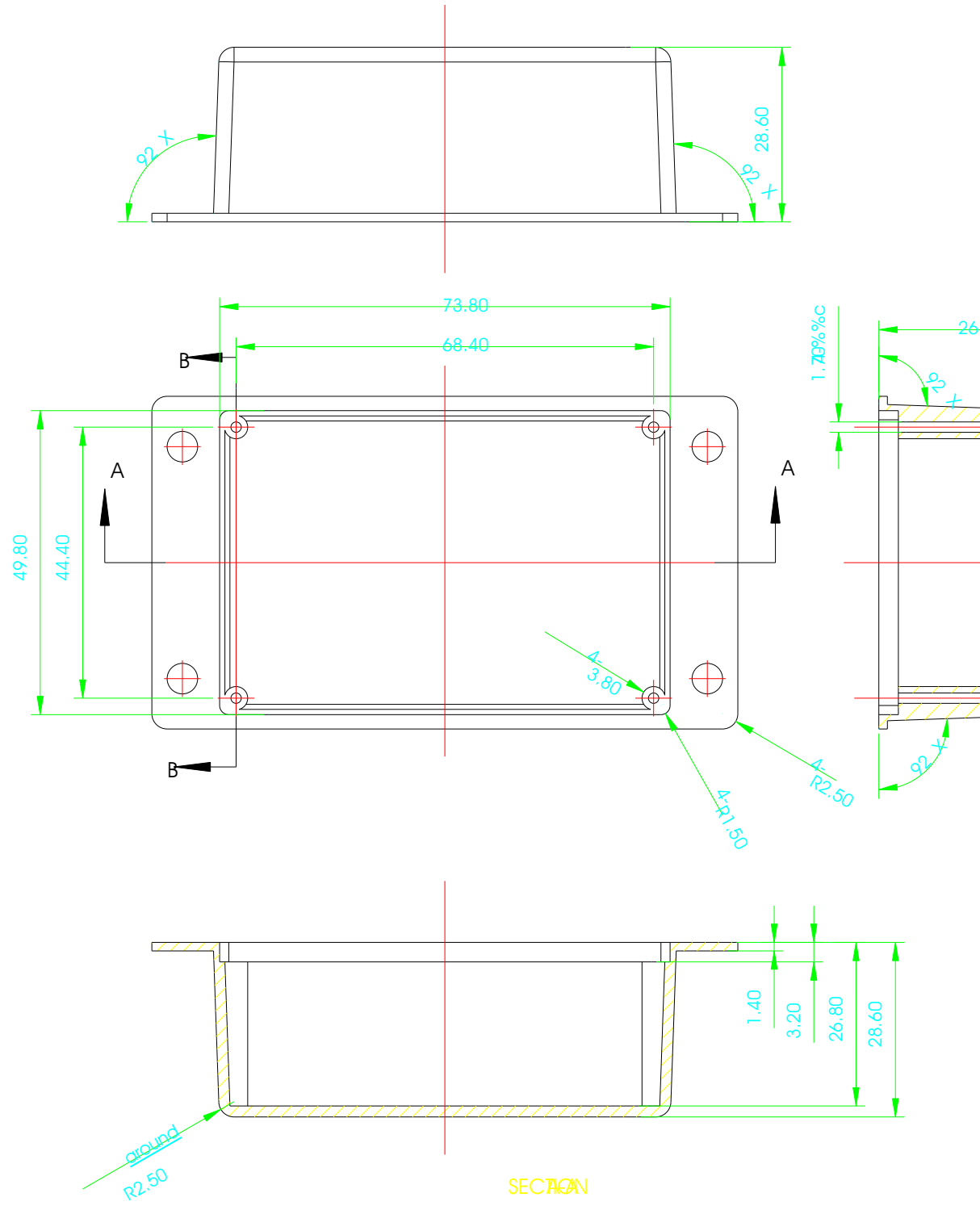
BF-17-BOTTOM

Dwg. No.:

Revision:

Model:

Part No.:



SECTION