



BOX ENCLOSURES, INC

28835 N. HERKY DRIVE, #114,

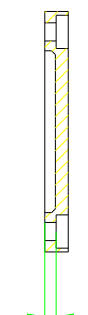
LAKE BLUFF, IL 60044

WWW.BOXENCLOSURES.COM

TEL: 847-932-4700

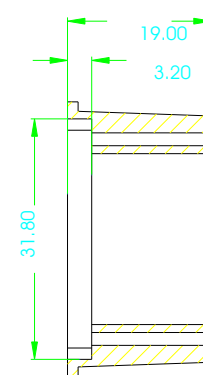
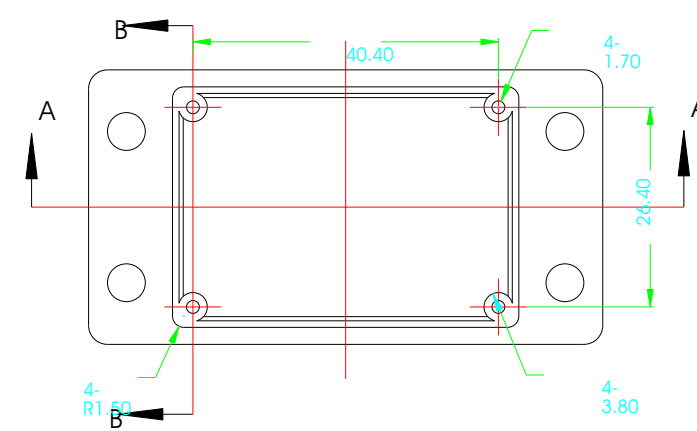
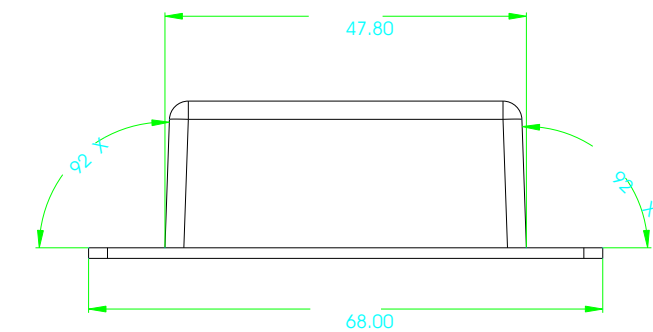
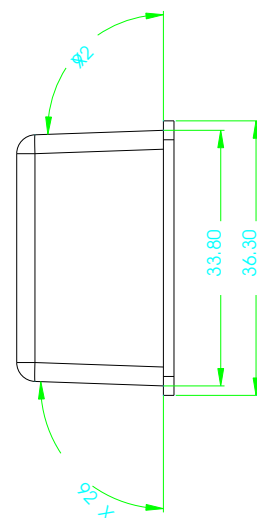
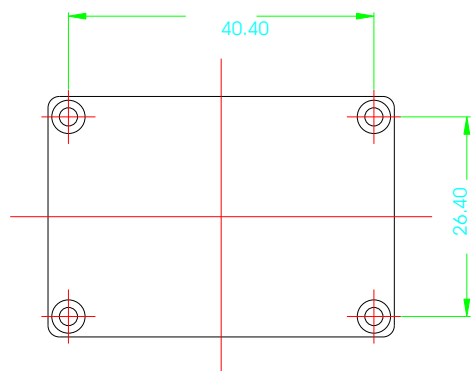
FAX: 847-932-4701

00420

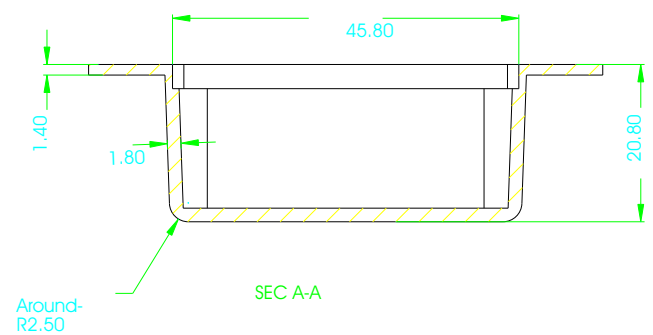


1.50

SEC B-B



SEC B-B



SEC A-A



Revision:

Model:

Title: bf-13-bottom

Dwg. No.: Part No.:

Material: ABS

TOLERANCE

all dimension in mm

unless otherwise specified.

x %%p0.20

x %%p0.10

Color: Dim. Date: 200812-29

Qty: Chk. Date

PROPOSE. THE RECIPIENT AGREES TO USE IT ONLY FOR

THIS DRAWING IS THE PROPERTY OF AND MAY EMBODY PROPRIETARY INFORMATION OWNED BY X-Box Enclosures. IT IS PROVIDED UNDER A CONFIDENTIAL RELATIONSHIP FOR A SPECIFIC PURPOSE. THE RECIPIENT AGREES TO USE IT ONLY FOR SUCH PURPOSE AND RETURN IT TO X-Box Enclosure UPON REQUEST.