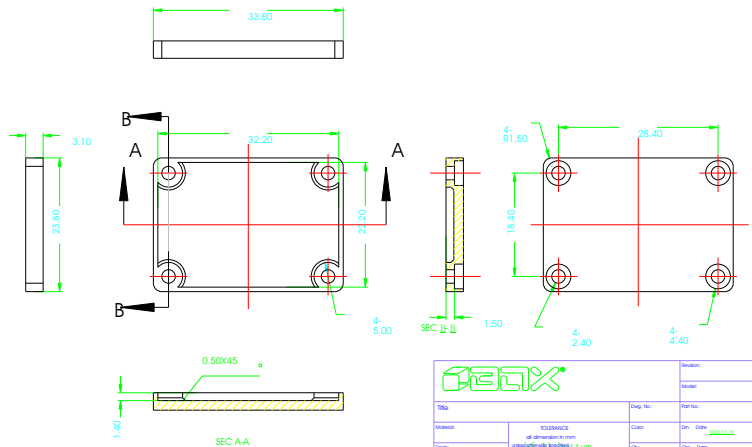




BOX ENCLOSURES, INC.
28835 N. HERKY DRIVE, #114,
LAKE BLUFF, IL 60044
WWW.BOXENCLOSURES.COM

TEL: 847-932-4700 FAX: 847-932-4701



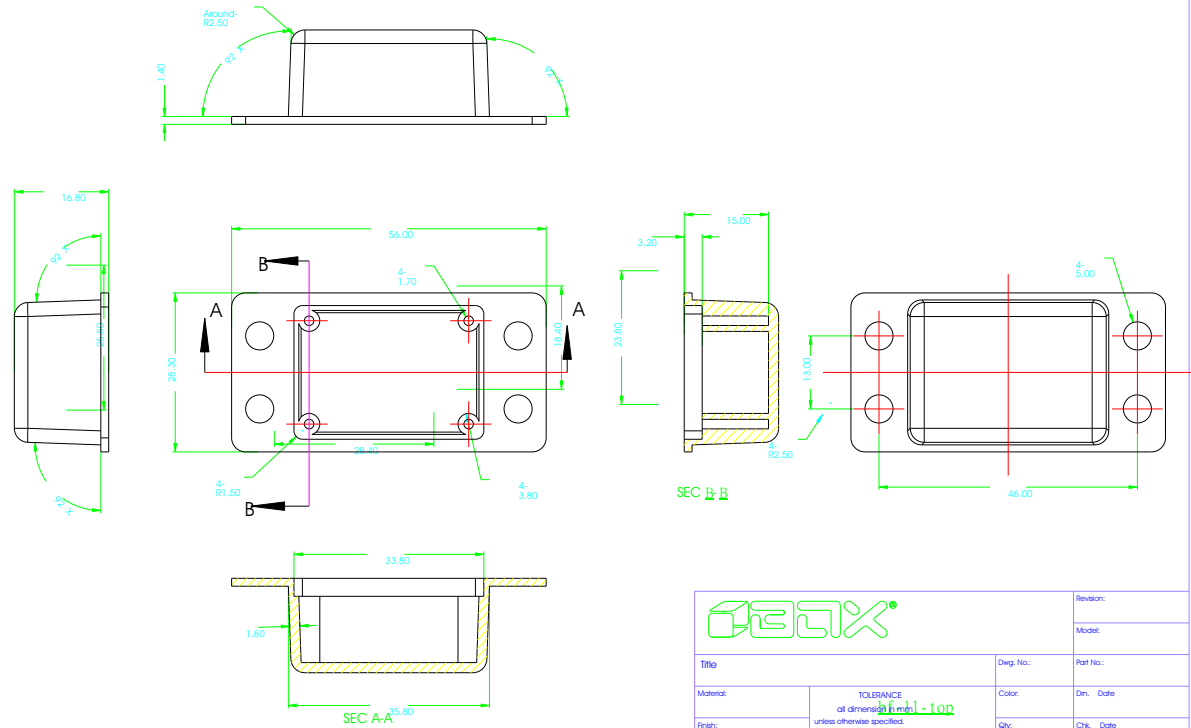
		Revision:	
Title:		Model:	
Material:		Dwg. No.:	
Finish:		Part No.:	
Proc:		Color:	
Date:		Dim. Date:	
App. Date:		Qty:	
App. Date:		Chk. Date:	
App. Date:		App. Date:	
App. Date:		App. Date:	

THIS DRAWING IS THE PROPERTY OF AND MAY EMBODY PROPRIETARY INFORMATION OWNED BY X-Box Enclosures. IT IS PROVIDED UNDER A CONFIDENTIAL RELATIONSHIP FOR A SPECIFIC PURPOSE. THE RECIPIENT AGREES TO USE IT ONLY FOR SUCH PURPOSE AND RETURN IT TO X-Box Enclosure UPON REQUEST.



BOX ENCLOSURES, INC.
28835 N. HERKY DRIVE, #114,
LAKE BLUFF, IL 60044
WWW.BOXENCLOSURES.COM

TEL: 847-932-4700 FAX: 847-932-4701



		Revision:	
Title:		Model:	
Material:		Dwg. No.:	
Finish:		Part No.:	
Proc:		Color:	
Date:		Dim. Date:	
App. Date:		Qty:	
App. Date:		Chk. Date:	
App. Date:		App. Date:	
App. Date:		App. Date:	

THIS DRAWING IS THE PROPERTY OF AND MAY EMBODY PROPRIETARY INFORMATION OWNED BY X-Box Enclosures. IT IS PROVIDED UNDER A CONFIDENTIAL RELATIONSHIP FOR A SPECIFIC PURPOSE. THE RECIPIENT AGREES TO USE IT ONLY FOR SUCH PURPOSE AND RETURN IT TO X-Box Enclosure UPON REQUEST.